

Features

- Cartridge-free waterless urinal functionality.
- Saves up to 40,000 gallons of water per fixture per year and significantly reduces sewage and maintenance costs.
- Cartridge-free integral trapway provides enhanced performance and less maintenance.
- Optimized interior design virtually eliminates splashing.
- Touch-free design is vandal resistant and offers added hygiene to users.

Material

- Vitreous china.

Installation

- 29-5/8" H x 15" W x 15-5/8" D.

Water Conservation & Rebates

- This product can help a building earn Water Efficiency points in LEED® Green Building Rating System.

Recommended Products/Accessories

- 1048656 Sealing Liquid 128 oz
- 1048656-P Sealing Liquid - Case
- 1174866 Waterless Urinal Cleaner 3-Pack
- K-4929 Waterless Urinal Maintenance Balls

Included Components

Additional Components:

- 2" outlet spud
- 3 oz (89 ml) Sealing Liquid Sample
- Cleaner Sample
- Hanger(s)
- Removable Strainer
- Universal Mounting Bracket
- Urinal Ball Sample



ADA

Codes/Standards




ASME A112.19.2/CSA B45.1
ADA
ICC/ANSI A117.1

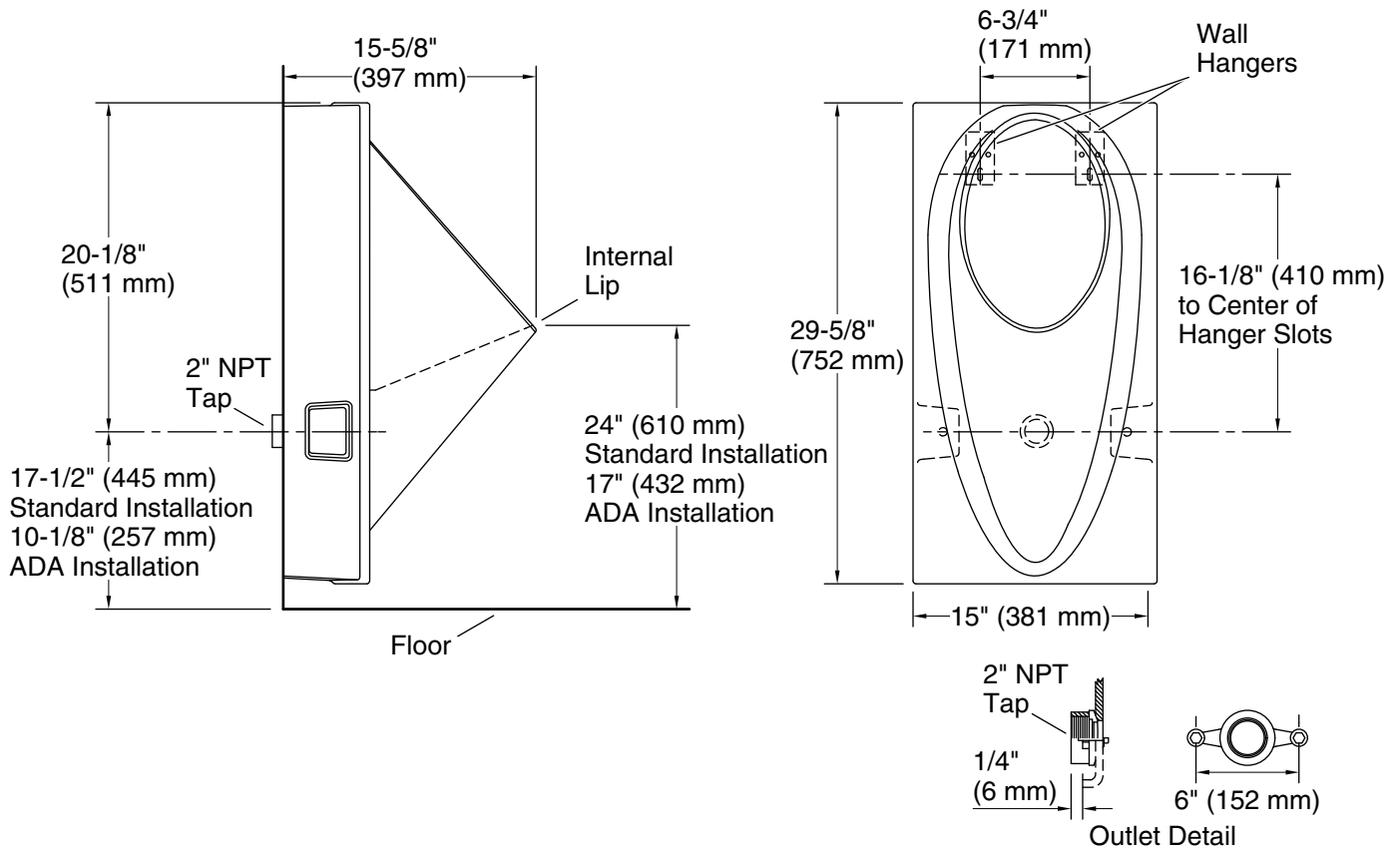
KOHLER® One-Year Limited Warranty

See website for detailed warranty information.

Available Colors/Finishes

Color tiles intended for reference only.

Color	Code	Description
	0	White
	96	Biscuit
	7	Black Black™



Technical Information

All product dimensions are nominal.

Flush outlet technology: Waterless
Spud size: 2", Outlet, Rear

Notes

Install this product according to the installation guide.

CAUTION: Risk of property damage. When connecting waterless urinals to the building drain waste vent system, do not use copper pipe or copper tube connectors. The use of a copper connector will result in corrosion of the connector and potential building structure damage caused by leakage.

ADA compliant when installed to the specific requirements of these regulations.